

Product Name:
Evertrench - Large

EI Code:
82024

Dimensions:
350 H x 1200 L x 520mm D

Weight:
3kg

Material:
Recycled PP



Additional Information:

In addition to this product, you will need to get the following for installation (refer to installation instructions for assistance):

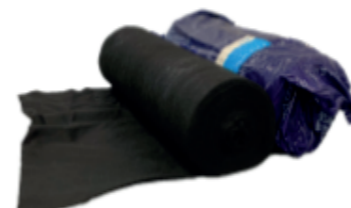
- Evertrench 350mm Trench End Cap **(A)**
- Evertrench Spreader Bars **(B)**
- Geotextile Fabric **(C)**



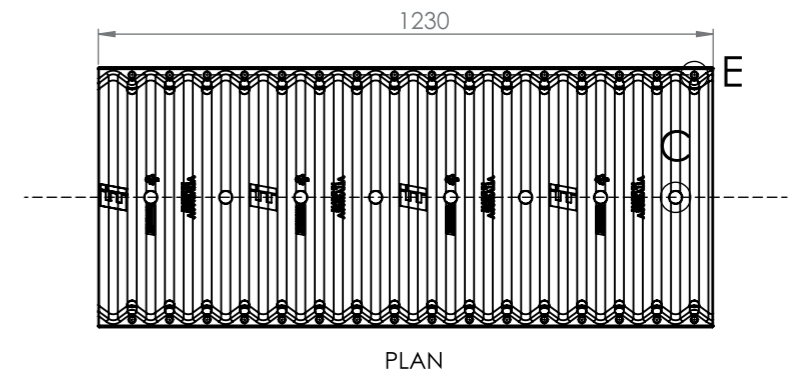
A



B

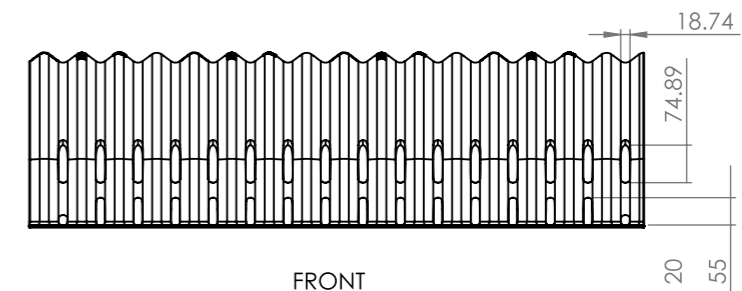


C

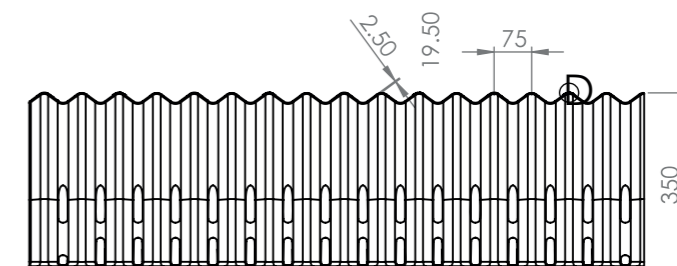


PLAN

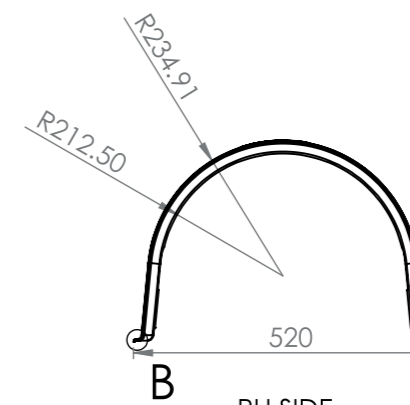
-ALL GATES TO TRIM BELOW TOP SURFACE-



FRONT



SECTION A-A



RH SIDE

Disclaimer: All measurements are in millimetres and are subject to change without any prior notice. It is advised for this product to be installed by a professional contractor to ensure installation is correct. Further information is available at www.everhard.com.au