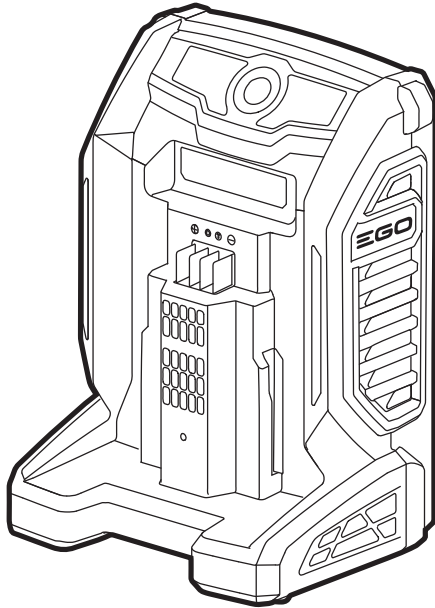


EGO™

POWER⁺ CHARGER



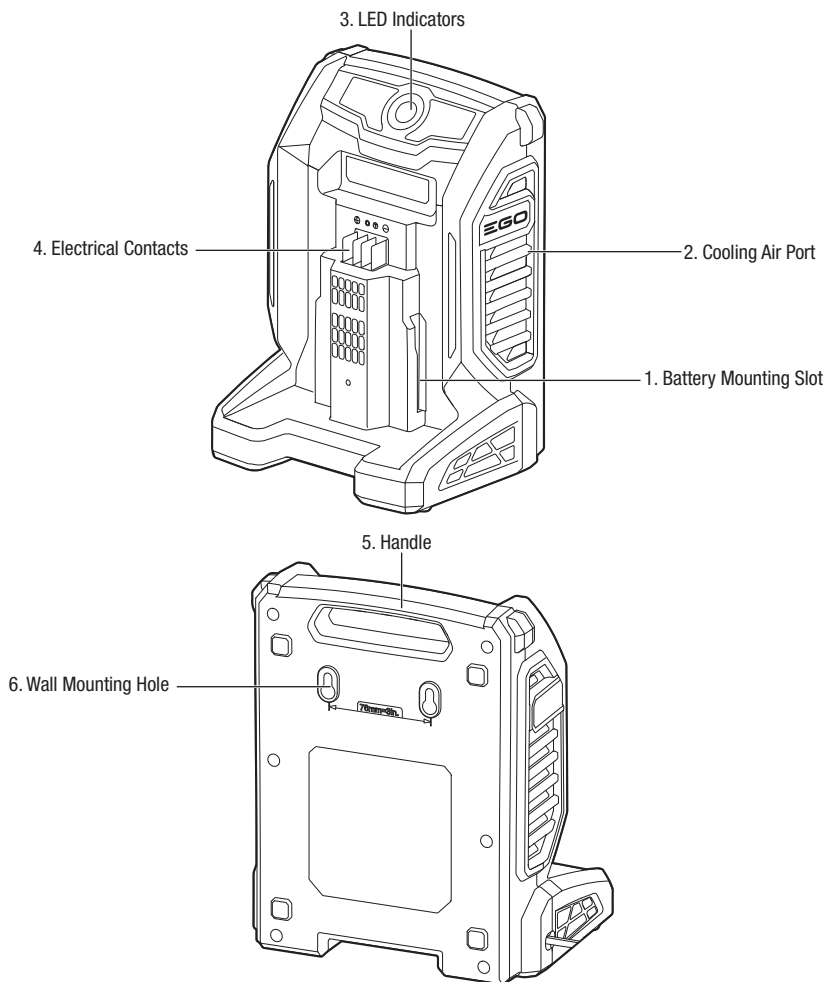
OPERATOR'S MANUAL

56 VOLT TURBO CHARGER

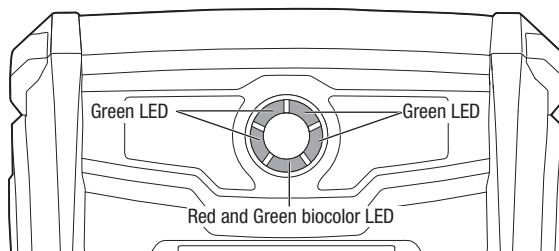
MODEL NUMBER CH7000E

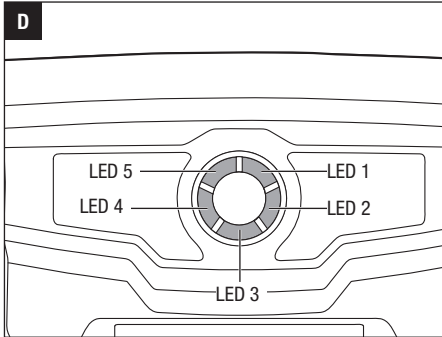
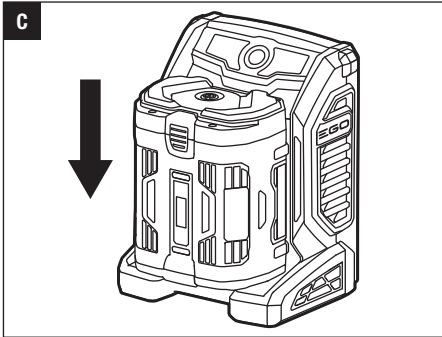
⚠ WARNING: To reduce the risk of injury, the user must read and understand the Operator's Manual before using this product. Save these instructions for future reference.

A



B





READ ALL INSTRUCTIONS!



READ OPERATOR'S MANUAL

▲ Notice: These instructions shall also be available in an alternative format, e.g. on a website.

▲ Residual risk! People with electronic devices, such as pacemakers, should consult their physician(s) before using this product. Operation of electrical equipment in close proximity to a heart pacemaker could cause interference or failure of the pacemaker.

▲ WARNING: To ensure safety and reliability, all repairs should be performed by a qualified service technician.

▲ WARNING: This appliance can be used by children aged from 8 years and above and persons with reduced physical, sensory or mental capabilities or lack of experience and knowledge if they have been given supervision or instruction concerning use of the appliance in a safe way and understand the hazards involved. Children shall not play with the appliance. Cleaning and user maintenance shall not be made by children without supervision.

SAFETY SYMBOLS

The purpose of safety symbols is to attract your attention to the possible dangers. The safety symbols and the explanations with them deserve your careful attention and understanding. The symbol warnings do not by themselves, eliminate any danger. The instructions and warnings they give are no substitutes for proper accident prevention measures.

▲ WARNING: Be sure to read and understand all safety instructions in this Operator's Manual, including all safety alert symbols such as "DANGER," "WARNING," and "CAUTION" before using this tool. Failure to follow all instructions listed below may result in electric shock, fire, and/or serious personal injury.

SAFETY INSTRUCTIONS

This page depicts and describes safety symbols that may appear on this product. Read, understand, and follow all instructions on the machine before attempting to assemble and operate.

	Safety Alert	Precautions that involve your safety
	Read Operator's Manual	To reduce the risk of injury, user must read operator's manual.
	Indoor Use	Use this device indoors only
	Class II Construction	Double-insulated construction
	Fuse-links	Time-lag miniature fuse-link
	CE	This product is in accordance with applicable EC directives.
	Regulatory Compliance Mark	This product complies with applicable Australian standards.
	WEEE	Waste electrical products should not be disposed of with household waste. Take to an authorized recycler.
V	Volt	Voltage
A	Amperes	Current
Hz	Hertz	Frequency (cycles per second)
W	Watt	Power
min	Minutes	Time
	Alternating Current	Type of current
	Direct Current	Type or a characteristic of current

▲ WARNING: Read and understand all instructions. Failure to follow all instructions listed below may result in electric shock, fire and/or serious personal injury.

WORK AREA SAFETY

- **Keep work area clean and well lit.** Cluttered or dark areas invite accidents.
- **Do not operate the EGO charger in explosive environments, such as in the presence of flammable liquids, gases, or dust.** A charger might create a spark, which may ignite the dust or fumes.

ELECTRICAL SAFETY

- **Do not expose to the charger to rain or wet conditions.** Water entering the charger will increase the risk of electric shock.
- **Do not abuse the cord.** Never use the cord for carrying, pulling, or unplugging the charger. Keep the cord away from heat, oil, sharp edges, or moving parts. Damaged or entangled cords increase the risk of electric shock
- The EGO charger can charge the EGO lithium-ion battery packs listed below:

CHARGER	BATTERY PACK
CH7000E	BA1400, BA2800, BA4200, BA1400T, BA2800T, BA4200T, BA5600T, BA6720T

SERVICE

- **Have your charger serviced by a qualified repair person using only identical replacement parts.** This will ensure that the safety of the charger is maintained.
- **When servicing a charger, use only identical replacement parts. Follow instructions in the Maintenance section of this manual.** Use of unauthorized parts or failure to follow Maintenance instructions may create a risk of shock or injury.
- **Before using the battery charger,** read all instructions and cautionary markings in this manual and on the battery charger, the battery and the product to prevent misuse of the products and possible injury or damage.
- **Do not handle charger, including the charger plug and charger terminals with wet hands.**
- **Make sure that the cord is located so that it will not be stepped on, tripped over, come in contact with sharp edges or moving parts, or otherwise be subjected to damage or stress.**
This will reduce the risk of accidental falls, which could cause injury and damage to the cord, which could then result in electric shock.
- **Keep the cord and charger from heat to prevent damage to housing or internal parts.**
- **Do not allow gasoline, oils, petroleum-based products, etc. to come in contact with plastic parts.** These materials contain chemicals that can damage, weaken, or destroy plastic.
- **Do not operate the charger with a damaged**


cord or plug, which could cause shorting and electric shock. If damaged, have the charger repaired or replaced by an authorized service technician at an EGO Service Center.

- **Do not disassemble the charger.** Take it to an authorized service technician when service or repair is required. Incorrect reassembly may result in a risk of electric shock or fire.
- **Unplug the charger from the electrical outlet before attempting any maintenance or cleaning to reduce the risk of electric shock.**
- **Disconnect charger from the power supply when not in use.** This will reduce the risk of electric shock or damage to the charger if metal items should fall into the opening. It will also help prevent damage to the charger during a power surge.
- **Risk of electric shock.** Do not touch the uninsulated portion of output connector or uninsulated battery terminal.
- **Save these instructions.** Refer to them frequently and use them to instruct others who may use this tool. If you lend this tool to someone else, also lend these instructions to them to prevent misuse of the product and possible injury.

IMPORTANT SAFETY INSTRUCTIONS

- **Save these instructions.** This manual contains important safety and operating instructions for EGO 56V Turbo Charger CH7000E
- **Before using the battery charger, read all instructions and cautionary markings on the battery charger, the battery and the product using the battery.**

SPECIFICATIONS

Charger Input	220-240 V~50 Hz, 700 W
Charger Output	10A, 56V 
Charging Time	Approx. 30 mins for 2.5/5.0 Ah battery pack Approx. 45 mins for 7.5 Ah battery pack Approx. 60 mins for 10.0 Ah battery pack Approx. 75 mins for 12.0 Ah battery pack
Optimum Charging Temperature	5°C-40°C
Charger Weight	2.0 kg


DESCRIPTION

KNOW YOUR BLOWER (Fig. A)

1. Battery Mounting Slot
2. Cooling Air Port
3. LED Indicators
4. Electrical Contacts
5. Handle
6. Wall Mounting Hole

OPERATION

HOW TO CHARGE THE BATTERY PACK

 **WARNING:** Do not use the charger outdoors or expose it to wet or damp conditions. Water entering the charger will increase the risk of electric shock.

NOTICE: Lithium-ion battery packs are partially charged before shipping. Before using it for the first time, fully charge the battery pack.

1. Connect the charger to the power supply (220-240V ~ 50Hz). The 5 charging indication LEDs will briefly shine green and turn out, indicating that the charger is working properly.
2. Align the raised ribs of the battery pack with the battery mounting slots in the charger; slide the battery pack down onto the charger, as shown in Fig. C.
3. The charger will communicate with the battery pack to evaluate the condition of the battery pack.
4. When charging a battery pack, the 5 LED indicators on the charger will shine green clockwise, indicating charge level (Fig. D). For BA1400, BA2800 and BA4200 battery packs, the power indicator on the

battery will flash red, orange and green in sequence; for BA1400T, BA2800T, BA4200T, BA5600T and BA6720T battery packs, the last LED indicator on the battery will keep flashing green while the other LEDs shine solid green. The fan in the charger works continuously to cool the battery pack and will come to a stop when the battery pack is fully charged.

5. When the battery pack is fully charged, the LED indicators on the charger will stop alternating and shine green continuously. The power indicator on the battery pack will go out. Wait until the cooling fan stops, remove the battery pack from the charger and disconnect the charger from the power supply.
6. The battery pack will fully charge if be left on the charger, but it will not overcharge. If the battery pack remains on the charger for one month or more, it will perform self-maintenance and drop to 30% charge capacity. If this occurs, reinstall the battery pack on the charger to fully recharge it.

NOTICE:

- A significant reduction in the running time of a fully charged battery pack indicates the battery's life is coming to an end and that the battery pack must be replaced.
- The charger may get warm during charging, which is normal. Charge your battery pack in a well-ventilated area.

LED FUNCTIONS OF CHARGER

LED INDICATOR	BATTERY PACK	LED ON THE CHARGER					POWER INDICATOR ON THE BATTERY PACK	BATTERY PACK POWER	ACTION
		LED 1	LED 2	LED 3	LED 4	LED 5			
	Defective	Off	Off	Flashing red or off	Off	Off	Off	-	Battery pack or charger is defective
	Cold/Hot battery	Off	Off	Shining red	Off	Off	Off	-	Charging will begin when battery pack returns to 3°C–57°C
	Charging	Flashing green	Off	Off	Off	Off	Flashing red, orange and green alternately or last LED flashing green, the others shining solid green	Less than 15%	Charging
		Shining green alternately	Off	Off	Off	Off		15% to 35%	Charging
		Shining green alternately	Off	Off	Off	Off		35% to 55%	Charging
		Shining green alternately	Off	Off	Off	Off		55% to 75%	Charging
		Shining green alternately	Off	Off	Off	Off		75% to 90%	Charging
	Fully Charged	Shining green continuously				Off	90% to 100%	Charging is complete. Maintenance charging.	

CHARGING A HOT OR COLD BATTERY PACK

If the battery pack is out of the normal temperature range, LED 3 will shine red. When the temperature of the battery pack returns to 3°C to 57°C, the charger will automatically begin charging and the corresponding LEDs on the charger will shine normally.

DEFECTIVE BATTERY PACK OR CHARGER

If the charger detects a problem, LED Indicator 3 will flash red or all the LEDs will turn off.

1. Remove and reinsert the battery pack in the charger. If the LEDs still read “defective”, try charging a different battery pack.
2. If a different battery pack charges normally, dispose of the defective battery pack (refer to the instructions in the battery pack manual).
3. If a different battery pack also indicates “defective”, unplug the charger and wait until the flashing LED 3 goes out, then reconnect the charger plug to the power supply. If no charger LEDs shine green briefly simultaneously for self-inspection at the plugging moment or LED 3 on charger still display defective, the charger may be defective.

WALL MOUNTING HOLES

The charger has mounting holes for convenient storage (Fig. A). Install screws in the wall 76mm apart. Use screws sufficiently strong to hold the combined weight of the charger and battery pack.

MAINTENANCE

⚠ WARNING: To avoid serious personal injury, be sure to remove the battery pack from the tool before cleaning or maintenance.

⚠ WARNING: When servicing, use only identical EGO replacement parts. Use of any other parts may create a hazard or cause product damage. To ensure safety and reliability, all repairs should be performed by a qualified service technician at an EGO Service Center.

⚠ WARNING: It is not recommended to use compressed dry air to clean the charger. If this is the only way for cleaning, be sure to wear safety goggles or safety glasses with side shields. If it is a dusty process, wear a dust mask.

⚠ WARNING: If the supply cord is damaged, it must be replaced by the manufacturer, its service agent or similarly qualified persons in order to avoid a hazard.

GENERAL MAINTENANCE

Avoid using solvents when cleaning plastic parts, because most plastics are susceptible to damage from various types of commercial solvents. Use a clean piece of cloth to remove dirt, dust, oil, grease, etc.

⚠ WARNING: Do not at any time let brake fluids, gasoline, petroleum-based products, penetrating oils, etc. come in contact with plastic parts. Chemicals can damage, weaken or destroy plastic, which may result in serious personal injury.

⚠ WARNING: When servicing, use only identical EGO replacement parts. Use of any other parts may create a hazard or cause product damage. To ensure safety and reliability, all repairs should be performed by a qualified service technician at an EGO Service Center.

Protecting the environment



Do not dispose of electrical appliances as unsorted municipal waste, use separate collection facilities.

Contact your local government for information regarding the collection systems available.

If electrical appliances are disposed of in landfills or dumps, hazardous substances can leak into the groundwater and get into the food chain, damaging your health and well-being.

TROUBLESHOOTING

PROBLEM	CAUSE	SOLUTION
The charger does not work. LED 3 flashes red or all the LEDs turn off.	The battery pack or charger is malfunctioning or the connection between the battery pack and charger is poor.	<ul style="list-style-type: none">■ Reinsert the battery pack.■ Try a different battery pack.■ Unplug the charger, wait for LED 3 to go out, and then reconnect the plug to the power supply.
The charger does not work and LED 3 shines red.	The battery pack is too hot or too cold.	Cool down the battery pack or warm it up. Charging will begin when the temperature of the battery pack returns to 3°C - 57°C.



WARRANTY

EGO WARRANTY POLICY

3 year warranty on EGO Power+ System battery packs and chargers.

Please contact EGO customer service on Australia 1300 000 EGO(1300 000 346),

New Zealand 0508 000 EGO (0508 000 346) any time you have questions or warranty claims.

SERVICE WARRANTY

FOR THREE YEARS from the date of original retail purchase, the EGO Power+ System battery pack and charger are warranted against defects in material or workmanship. Defective product will receive free repair.

This warranty does not cover the blade, which is a part that can wear out from normal use within the warranty period.

- This warranty applies only to the original purchaser at retail and may not be transferred.
- The warranty period for any EGO product or part used for industrial, professional or commercial purpose is one year.
- This warranty is void if the product has been used for rental purpose.
- This warranty does not cover the damage resulting from modification, alteration or unauthorised repair.
- This warranty only covers defects arising under normal usage and does not cover any malfunction, failure or defect resulting from misuse, abuse (including overloading of the product beyond capacity and exposure to water or rain), accidents, neglect or lack of proper installation, and improper maintenance or storage.
- This warranty does not cover normal deterioration of the exterior finish, including but not limited to scratches, dents, paint chips, or to any corrosion or discoloring by heat, abrasive and chemical cleaners.

HOW TO OBTAIN SERVICE

For warranty service, please contact EGO customer service on Australia 1300 000 EGO(1300 000 346), New Zealand 0508 000 EGO (0508 000 346). When requesting warranty service, you must present the original dated sales receipt. An authorised service center will be selected to repair the product according to the stated warranty terms.

ADDITIONAL LIMITATIONS

Chervon Australia Pty Ltd ABN 36 165 077 501 ("Chervon") warrants to the original domestic purchaser that this product will be free from defects in materials and workmanship for 5 years from date of purchase, and any battery or charger will be free from defects in materials and workmanship for 3 years from date of purchase. To make a claim, return the faulty item together with proof of purchase directly to your closest service agent or to the place of purchase. Any handling and transportation costs (and other expenses incurred in claiming this warranty) are not covered by this warranty and will not be borne by Chervon. The replacement product or part or repaired product will be made available for your collection at an address nominated by Chervon. Where a valid warranty claim is made, Chervon will replace the defective product or repair the fault. Where the product is repaired, Chervon may use refurbished parts. This warranty does not cover normal wear and tear, misuse or abuse. This warranty may also be further limited or voided as specifically detailed in the product Manual. Chervon has no other liability under this warranty. The benefits to you given by this warranty are in addition to other rights and remedies imposed by State and Federal legislation that cannot be excluded. Our goods come with guarantees that cannot be excluded under the Australian Consumer Law. You are entitled to a replacement or refund for a major failure and compensation for any other reasonably foreseeable loss or damage. You are also entitled to have the goods repaired or replaced if the goods fail to be of acceptable quality and the failure does not amount to a major failure.

Chervon Australia Pty Ltd, Unit 14, 5 Kelleys Road, Rowville, VIC 3178.

Phone Number: Australia 1300 000 EGO(1300 000 346), New Zealand 0508 000 EGO (0508 000 346).

Email address: support@egopowerplus.com.au.

